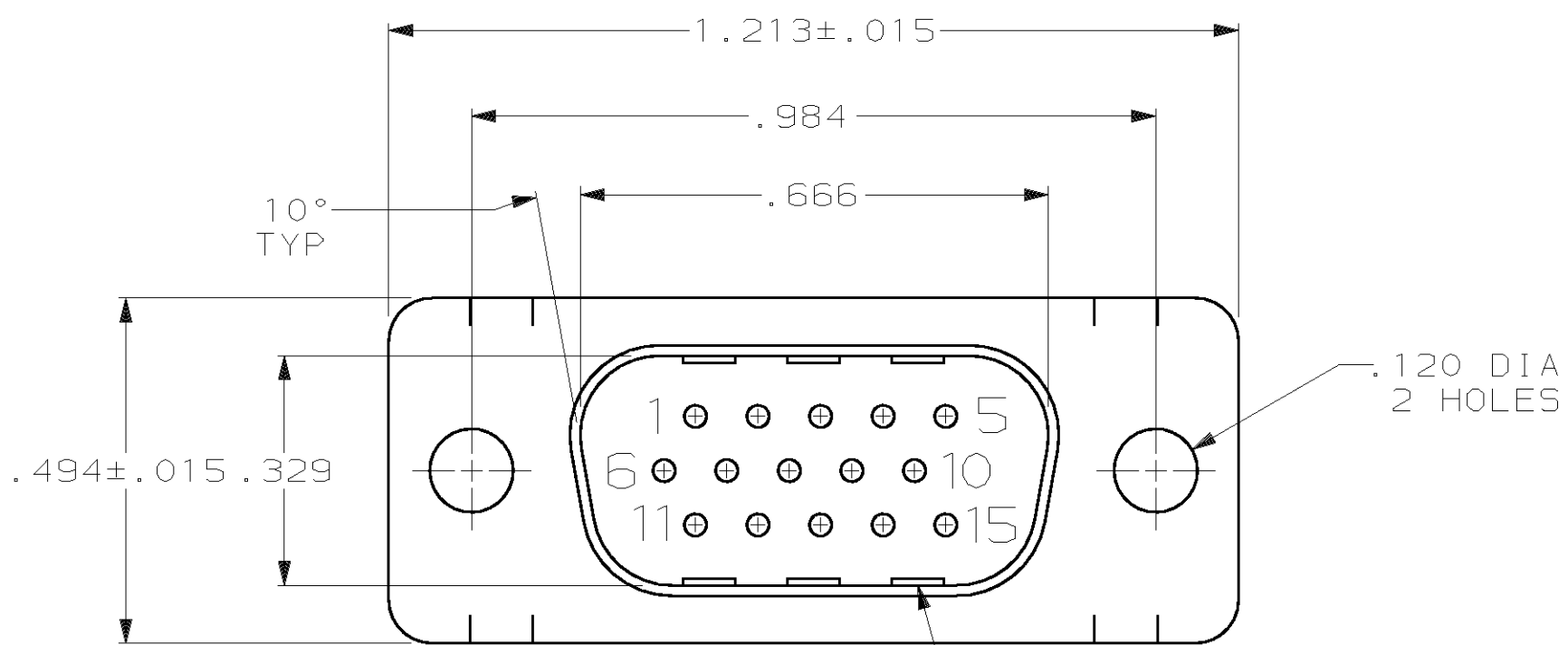
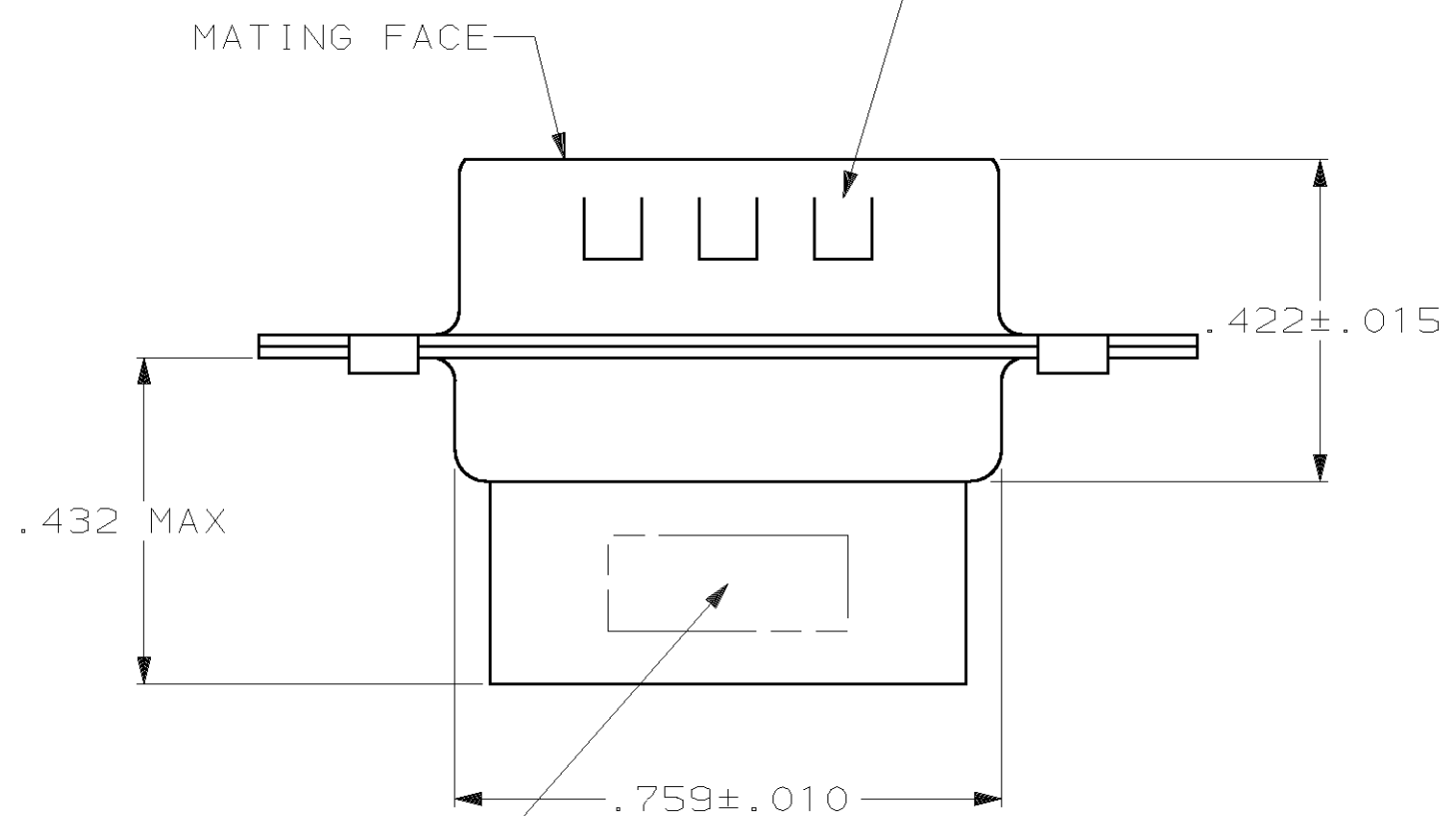


LOC		DIST		REVISIONS				
P	F	ZONE	LTR	DESCRIPTION	DATE	APPD		
BD	48		F	REV PER EC OUID-0226-00	09/13/01	JR		

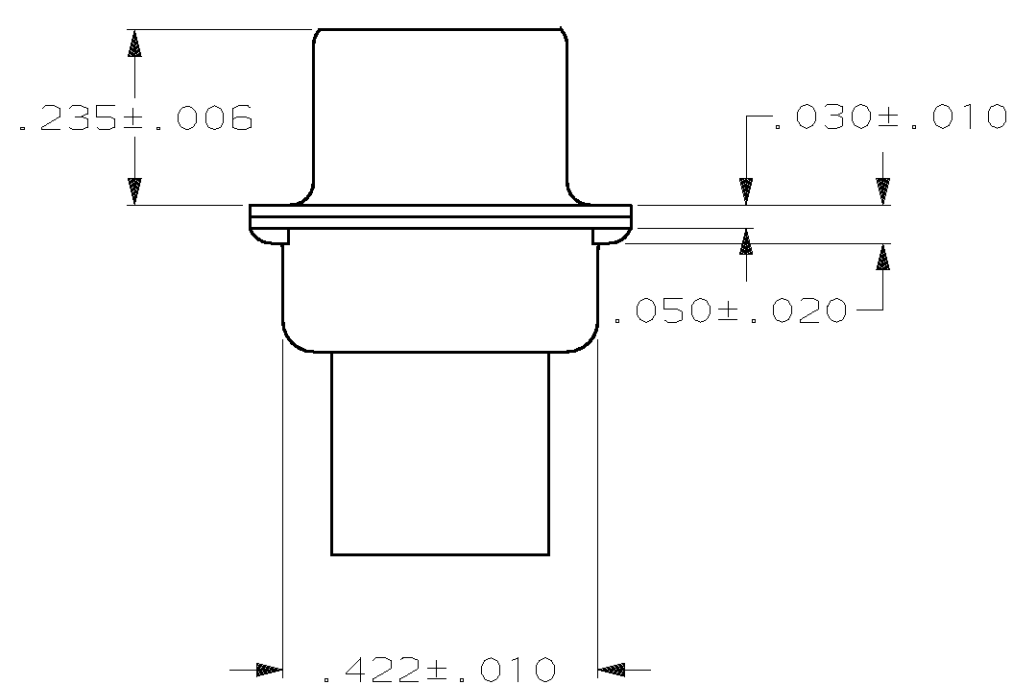


1. CONNECTOR ACCEPTS SIZE 22 DF PIN CONTACTS, RETENTION TINES ARE AN INTEGRAL PART OF INSERT.
- 2 NYLON, FLAME RETARDANT, 94V-0 RATED, GLASS FILLED, BLACK.
- 3 STEEL PER ASTM A109.
- 4 TIN OR TIN-LEAD PLATED PER MIL-T-10727.
- 5 TIN PLATED PER MIL-T-10727 OVER COPPER PER MIL-C-14550.
- 6 748364-5 IS FOR AMP THAILAND. PART HAS CIRCUIT HOLE #9 BLOCKED.

GROUNDING INDENTS (SEE TABLE)



AMP, PART NO. & DATE CODE, MARKED IN AREA INDICATED, ON FAR SIDE



SUPERSEDED BY 748364-1	STANDARD	5	YES	748364-5
SUPERSEDED BY 748364-1	SMALL PACK	5	YES	748364-4
OBSOLETE	STANDARD	4	NO	748364-2
	STANDARD	5	YES	748364-1

PACKAGING TYPE	SHELL FINISH	GROUNDING INDENTS	PART NO
DR 12-3-86 C.RICHARD			
CHK 12-4-86 S.WELDON			
APPD 12-4-86 L.BREKOSKY			
APPD 12-5-86 V.KUMAR			
PRODUCT SPEC			
APPLICATION SPEC			
WEIGHT			

AMP AMP Incorporated
Harrisburg, PA 17105-3608

PLUG CONNECTOR, SIZE 1,
15 POSITION, AMPLIMITE™ HDP-22

SIZE	CAGE CODE	DRAWING NO
C	00779	C=748364
SCALE	4:1	SHEET
		1 OF 1

THIS DRAWING IS A CONTROLLED DOCUMENT FOR AMP INCORPORATED. IT IS SUBJECT TO CHANGE AND THE CONTROLLING ENGINEERING ORGANIZATION SHOULD BE CONTACTED FOR THE LATEST REVISION.